

AGRIEMACH LTD

Agriemach Ltd 16 Horsted Square Bellbrook Industrial Estate Uckfield East Sussex TN22 1QG
simon.nicholls@agriemach.com Telephone: 01342 713743

Rt Hon Sadiq Khan
City Hall
The Queen's Walk
London
SE1 2AA

Increase 04 JAN 2017
Planning.

3rd January 2018

Dear Mr Khan,

I would like to start by introducing Agriemach Ltd, we are a leading UK company in the emission treatment field, specialising in SCR technology for Nitrogen (NOx) reduction. We are still a family run business having been established in 1976 and we have been leading the market in emissions and exhaust filtration since the early 1990's.

I would like to start by congratulating you and your offices' stance on pollution and in particular your drive to improve air quality. Which will lead to the saving of thousands of Londoners lives in the future!

With that in mind, I have just read the 'Draft New London Plan' and in particular, point

"9.3.6 Further information about the relevance of CHP in developments of various scales will also be provided in the Energy Planning Guidance document, which will be kept updated as technology changes. However, it is not expected that gas engine CHP will be able to meet the standards required within areas exceeding air quality limits with the technology that is currently available."

I'd like to draw your attention to the enclosed information regarding our SCR systems for exactly this type of application. We currently have numerous installations in and around London reducing the NOx emissions of Gas CHP engines, down to as low as 15mg NOx / Nm³ @ 5% O₂!

We would like to invite you to a current installation, where we would gladly demonstrate the technology and explain our solution going forward to meet the 'New London Plan'.

We do find it slightly worrying that the draft document mentions "not expected that gas engine CHP will be able to meet the standards required" when we have working installations doing exactly that.

If someone from your office would like to discuss any of the above or our technology and what we can achieve in more detail, we would be only too happy to speak with them.

Yours sincerely



Mr Simon Nicholls Bsc (Hons)
Agriemach Ltd

FAST START SCR

NO_x REDUCTION WITHIN 90 SECONDS

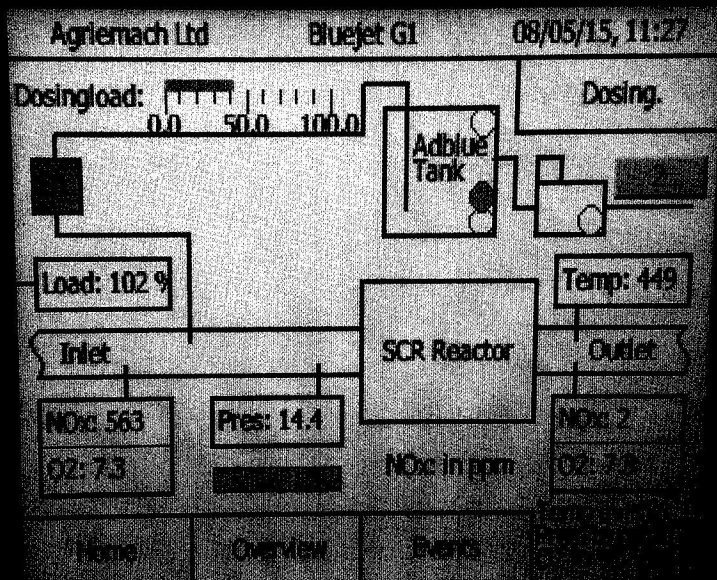
WHAT DO WE OFFER?

- Up to 99% Reduction of NO_x
- A Turnkey Solution:
 - Engineered Design
 - Production and Delivery
 - Full Installation
 - Commissioning
 - UK Service and Support
 - Bulk Urea Tanks
 - Urea Delivery
- Complimentary Tank Monitoring for Automated Refill
- Tailored Heat Insulation Jackets
- Air Compressors
- Combined SCR and Silencer Assemblies
- Combined Soot Filtration
- Combined Carbon Monoxide Conversion

MARKET AREAS

- Power Generation
- Cogeneration (CHP)
- Gas Compression
- Crop Production (Greenhouse)
- Industrial and Chemical
- Marine and Shipping

- Agriemach offer Engineered Solutions for each individual application
- FAST START SCR Dosing technology – online within 90 Seconds
- Simple Touch Screen PLC for Ease of Control
- Remote Access Control and Data Logging



FAST START SCR NO_x REDUCTION WITHIN 90 SECONDS

- Full Mechanical and Electrical Installation Service
- UK Training and Service Support
- Upgradable Designs
- Standard BMS Connectivity

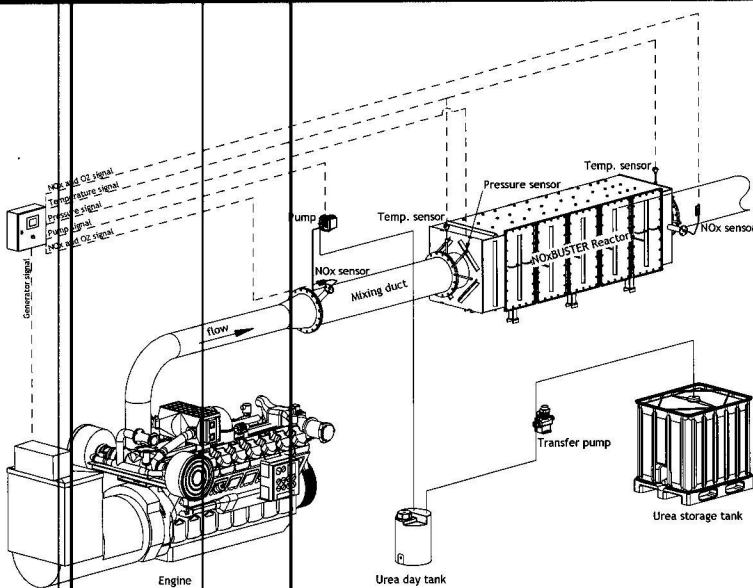


AGRIEMACH BENEFITS

- Automatic Operation
- Self Cleaning Injectors
- UPS Backup for Soft Shut Down
- Backpressure Monitoring
- Temperature Monitoring
- Urea Level Monitoring
- Closed Loop Urea Dosing Control
- Data Logging
- Simple BMS Connectivity
- Remote Access Control
- Durable Engineering for a Long Service Life

ALSO SUPPLIED

- Air Compressors
- Bulk Urea Tanks and Urea Supply
- Exhaust Bellows
- Custom IP Rated External Dosing Systems
- Bespoke Mounting Systems

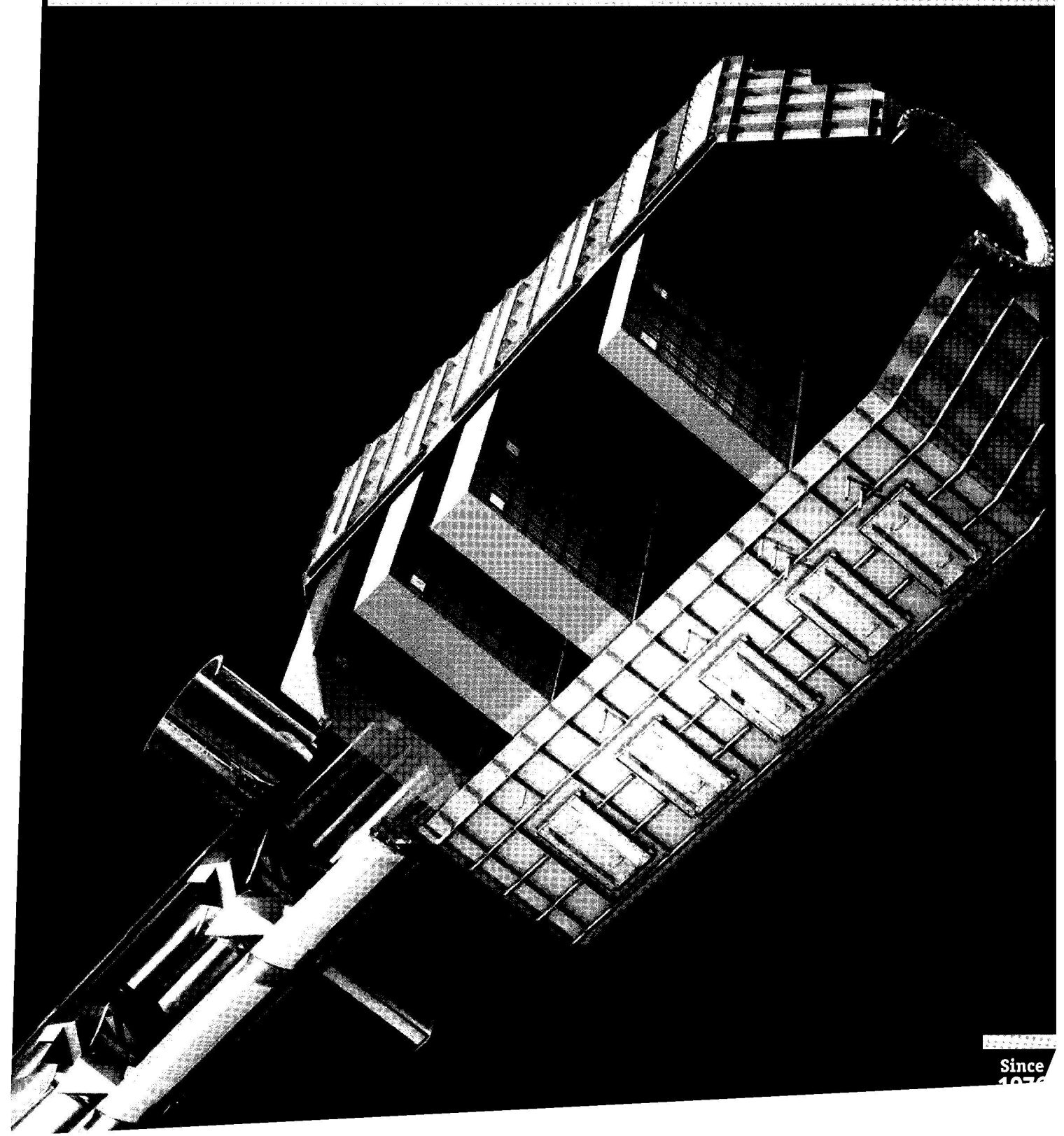


Please call us for assistance +44 (0) 1342 713743
or email us info@agriemach.com

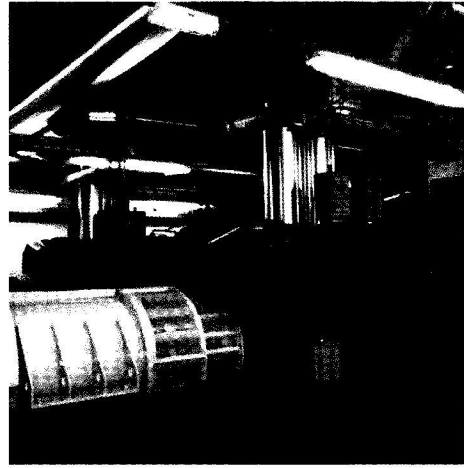
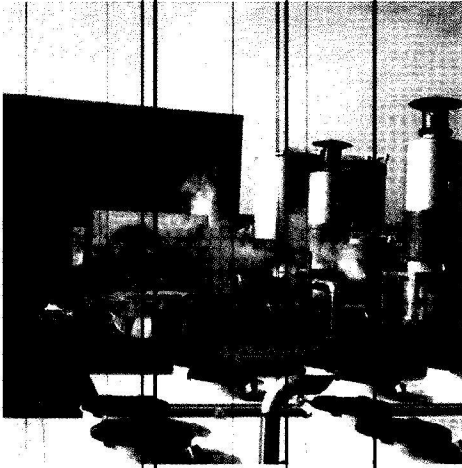


AGRIEMACH LTD

SELECTIVE CATALYTIC REDUCTION SYSTEMS (SCR NO_x ABATEMENT)



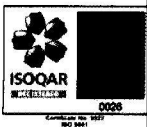
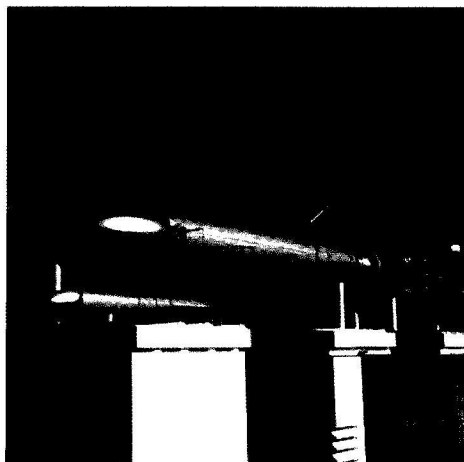
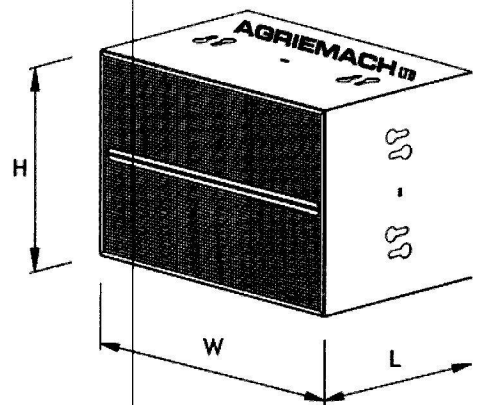
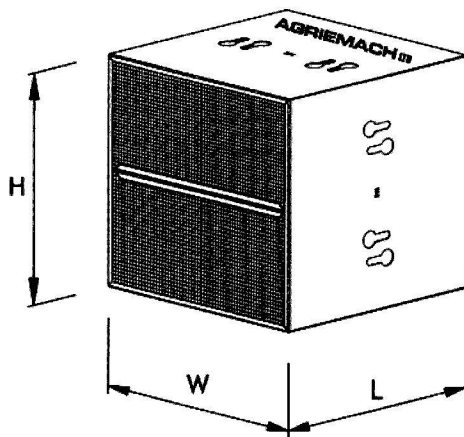
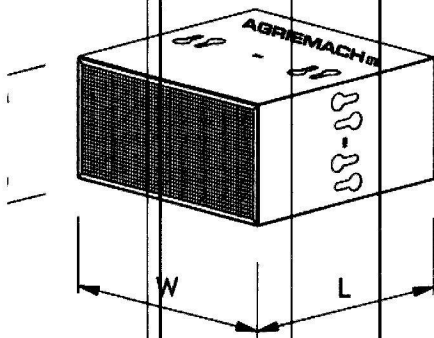
Since
1976



WHAT IS SELECTIVE CATALYTIC REDUCTION (SCR)?

Selective Catalytic Reduction (SCR) is a means of converting Nitrogen Oxides (NO_x) into Nitrogen (N_2) and Water (H_2O), using an injection of urea (AdBlue) with the aid of a catalyst.

Our systems are used on lean burn applications and offer a very high efficiency for the reduction of Nitrogen Oxides.



Tel: +44 (0) 1342 713743

Fax: +44 (0) 1342 719181

Email: info@agriemach.com